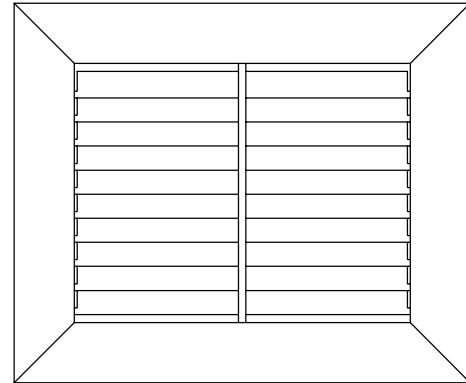


## RETURN AIR GRILLE - TEE BAR

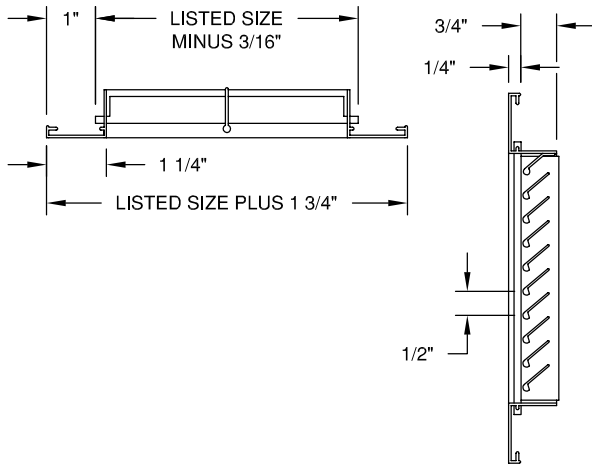
BLADES FIXED AT 40° ANGLE  
IN TEE BAR FRAME FOR MODULAR CEILING APPLICATION

EXTRUDED ALUMINUM; 6063-T5

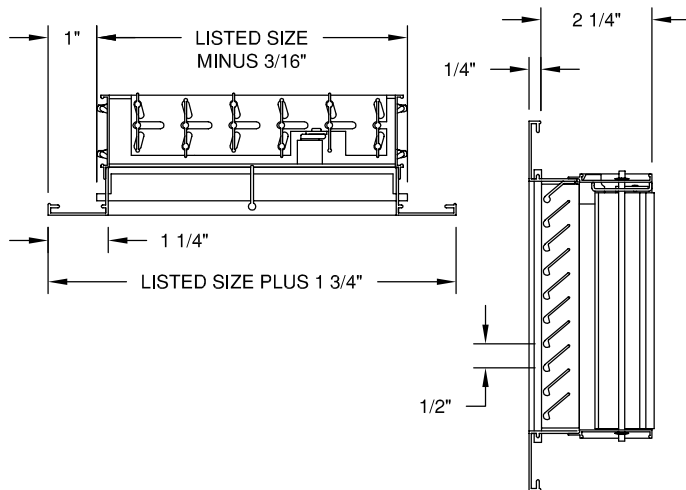
FINISH - SA (CLEAR ANODIZE) OR W (WHITE PAINTED)



FACE VIEW



MODEL - GFX5TB - RETURN GRILLE



GFXO5TB - OPPOSED BLADE DAMPER

| T-BAR   | LISTED SIZE | OVERALL         |
|---------|-------------|-----------------|
| 12 x 12 | 10 x 10     | 11 3/4 x 11 3/4 |
| 24 x 12 | 22 x 10     | 23 3/4 x 11 3/4 |
| 36 x 12 | 34 x 10     | 35 3/4 x 11 3/4 |
| 48 x 12 | 46 x 10     | 47 3/4 x 11 3/4 |
| 24 x 24 | 22 x 22     | 23 3/4 x 23 3/4 |
| 36 x 24 | 34 x 22     | 35 3/4 x 23 3/4 |
| 48 x 24 | 46 x 22     | 47 3/4 x 23 3/4 |
| 36 x 36 | 34 x 34     | 35 3/4 x 35 3/4 |
| 48 x 48 | 46 x 46     | 47 3/4 x 47 3/4 |

SIZE SCHEDULE

|                            |                  |                   |
|----------------------------|------------------|-------------------|
| DWG NO.<br><b>02HV031A</b> | JOB NAME: _____  | ENGINEER: _____   |
| DATE:<br><b>2/21/02</b>    | LOCATION: _____  | CONTRACTOR: _____ |
|                            | ARCHITECT: _____ | FINISH: _____     |